

Model G9-113 Rotary Gear Pump

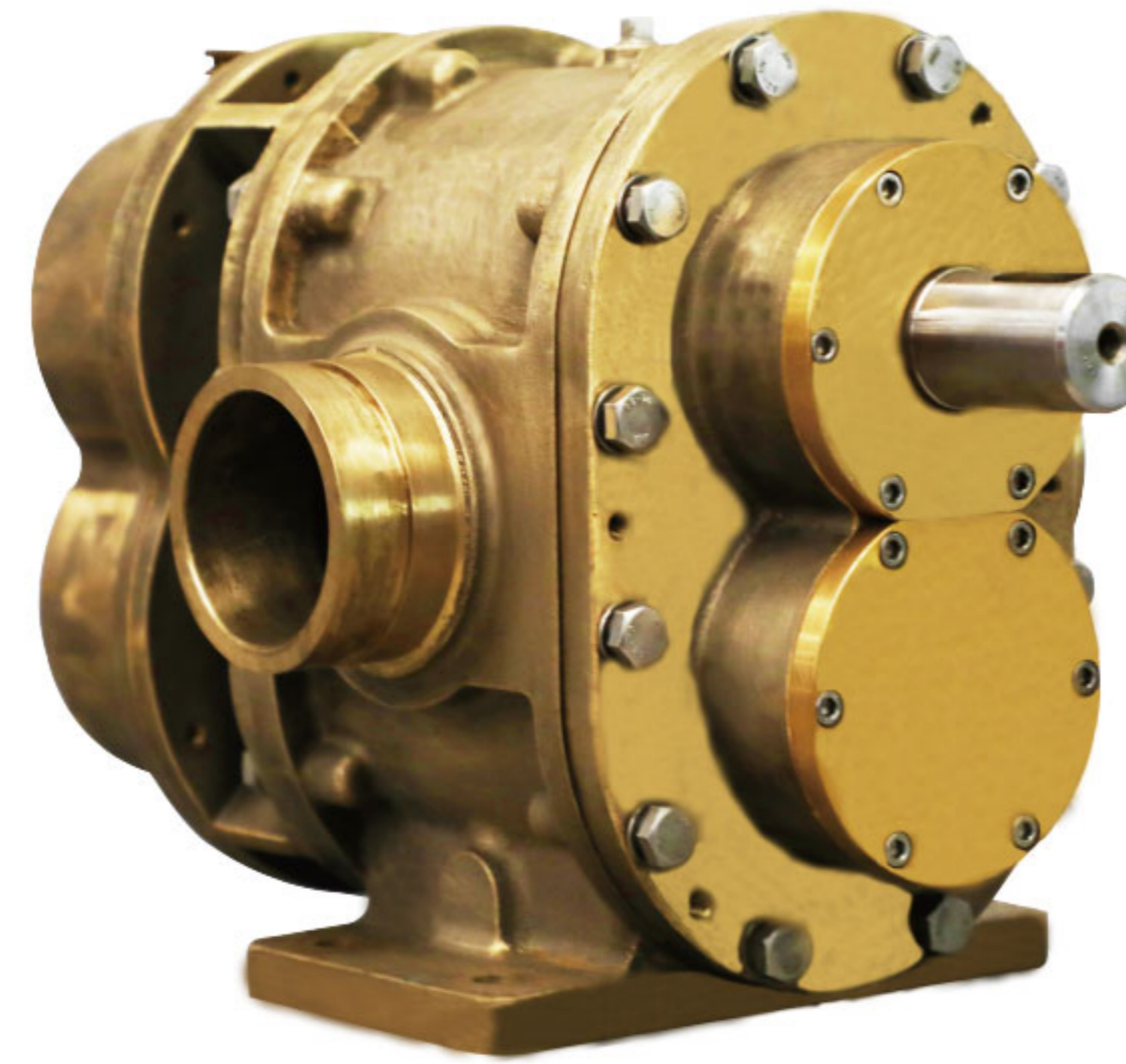
Surex rotary gear pumps designed for foam extinguishing system. They are Self-Priming and can pump Multiple Viscosities of Foam or Water. This versatile design is suitable for Electric, PTO, Diesel/Gasoline Engine, Water Driven or Hydraulic drive motors.

Design Features:

- Timing Gears Synchronize the Two Pumping Rotors.
- Timing Gears Allow for DRY Running Without Damage.
- No Rotor Contact Allows for Pumping Foam or Water.
- Water Can Be Used for: Calibration, Testing and Training.

Technical Data:

Max Pressure: 2.0MPa | 20bar
Max Speed: 1800RPM
Viscosity : 9500cp max.[1]
Connection Diameter: DN80(88.9 O.D.)、3"
Connection Type: Groove、Thread、Flange
Approvals: FM
[1]Brookfield viscometer, spindle #4, speed 30rpm.



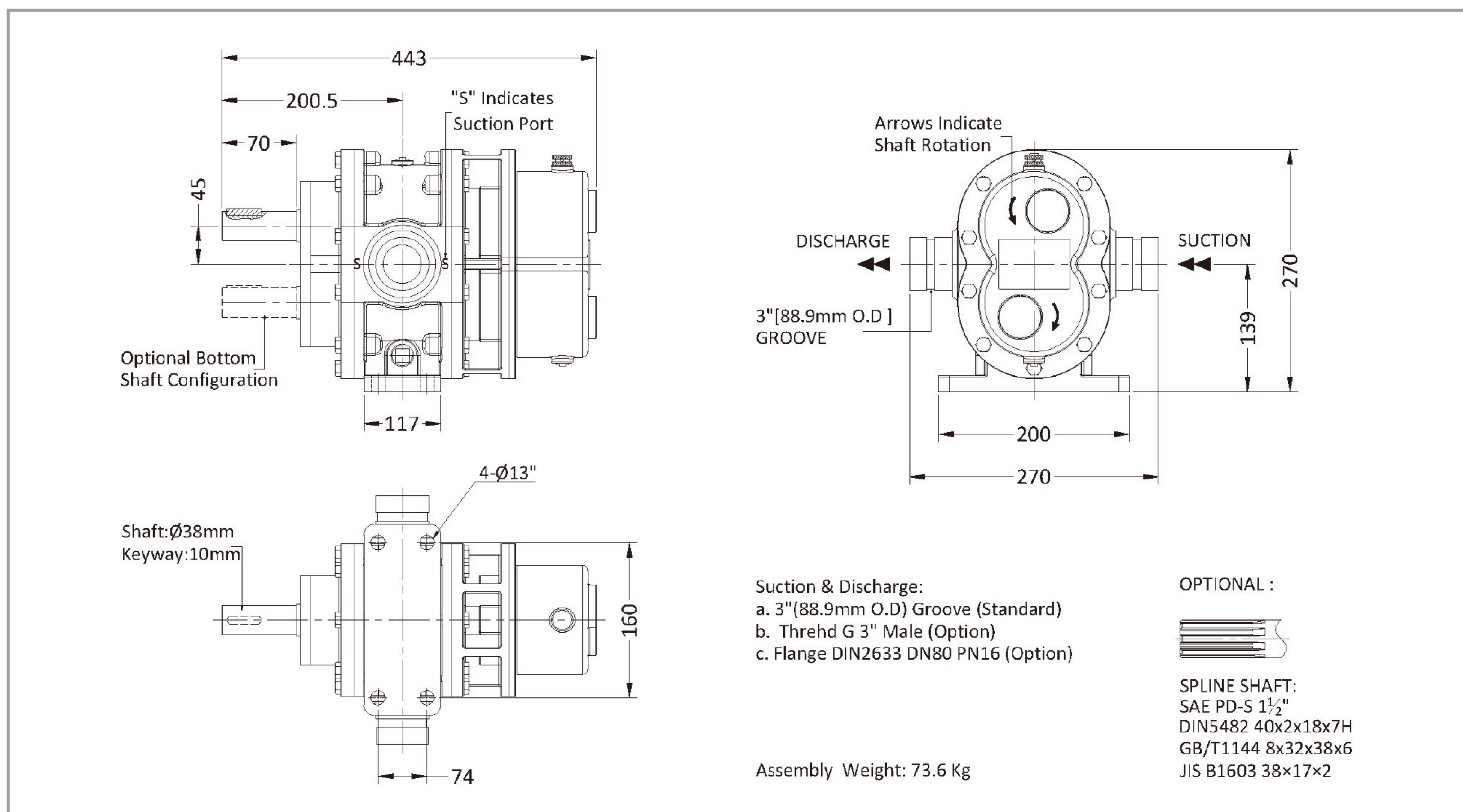
Materials :

Pump body: Red Brass, ASTM B584 C83600
Rotor: Stainless Steel 17-4PH
Red Brass, ASTM B584 C83600
Liners: Red Brass, ASTM B584 C83600
Front Cover: Red Brass, ASTM B584 C83600
Back Cover: Red Brass ASTM B584 C83600
Timing Gear: Alloy Steel 20CrMnTi (ASTM A29M)
Lip Seal : FPM

Performance -Water

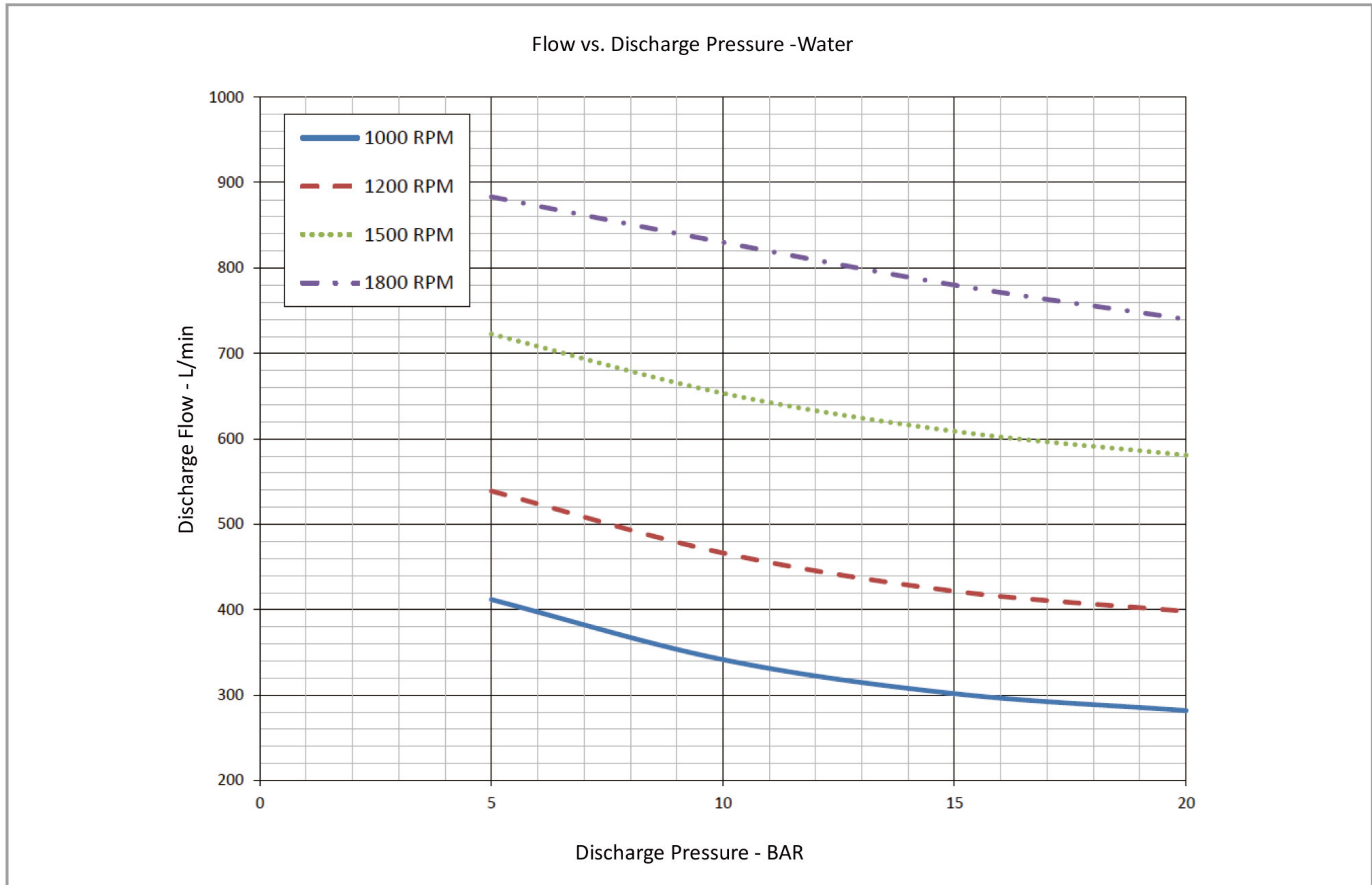
Foam Pump	1000rpm			1200rpm			1500rpm			1800rpm			
	Pressure	Flow	Power	Torque	Flow	Power	Torque	Flow	Power	Torque	Flow	Power	Torque
	bar	L/min	kw	N.m	L/min	kw	N.m	L/min	kw	N.m	L/min	kw	N.m
	5.0	412	7	70	539	9	73	723	13	80	883	17	89
	6.9	382	9	88	508	12	92	694	15	98	862	20	107
	10.3	339	13	120	463	16	125	651	20	130	825	26	139
	13.8	309	16	153	430	20	158	617	26	163	792	32	172
	17.2	289	20	187	408	24	191	594	31	197	761	39	205
	20.0	282	22	214	398	27	217	581	35	224	740	44	232

Dimensions

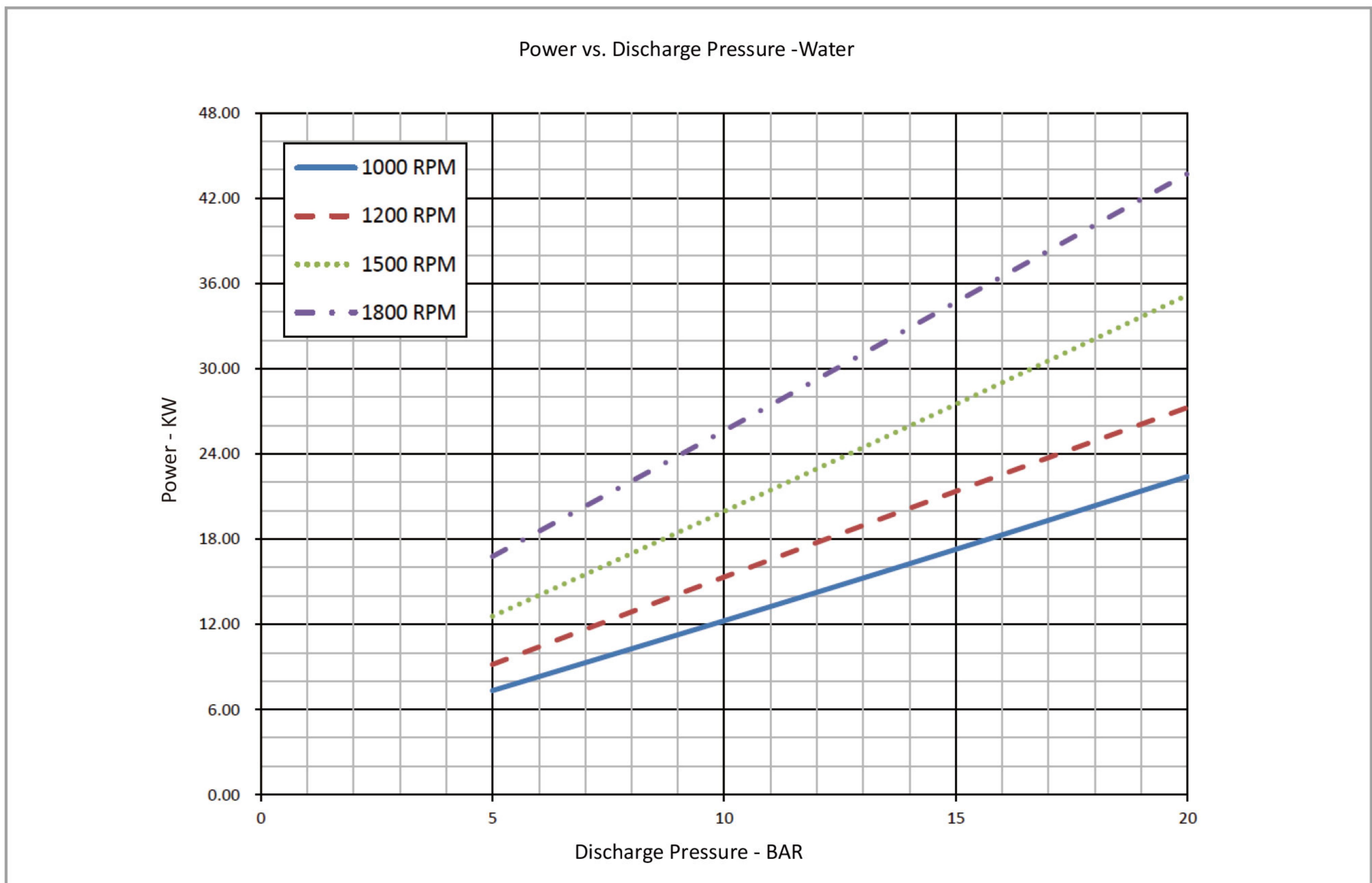


Model G9-113 Rotary Gear Pump

Flow vs. Discharge Pressure -Water



Power vs. Discharge Pressure -Water



• The pump performance for foam concentrate, please contact Surex, or down load from www.surexfoam.com.